

# KITSAP MODULAR PLANTERS: ANCHORED WALL

## Installation / Assembly Instructions



### INCLUDED

- 3/8" dia. stainless bolts, nuts, and washers
- Wall sections (see shop drawings for details)

### TOOLS REQUIRED (not included)

- Level
- Pencil/Marker
- Hammer Drill
- Concrete Drill Bit for 3/8" dia. anchor
- 9/16" Socket & Open-End Wrench
- Tape Measure
- Waterproof sealant/adhesive (silicone)

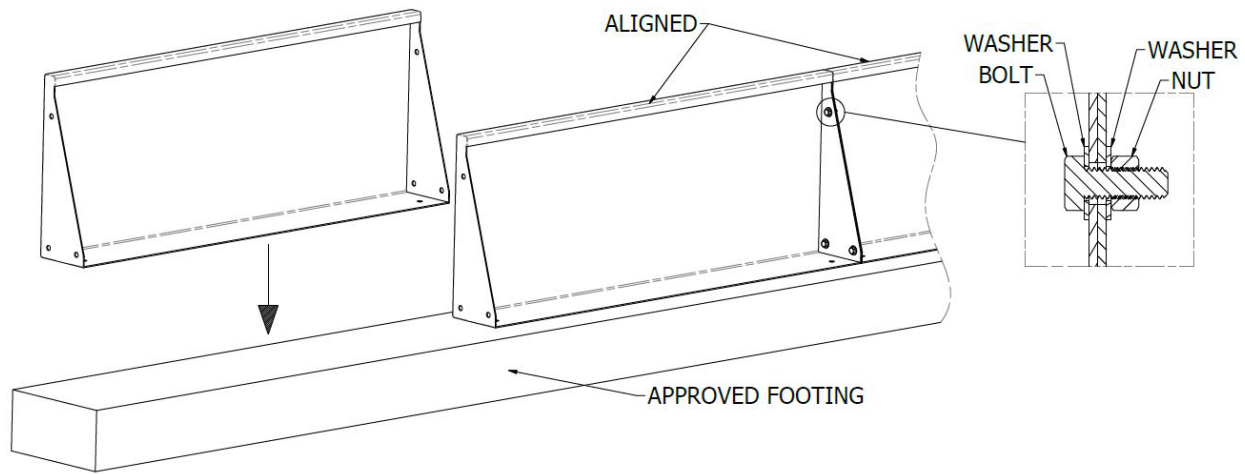
### Preparation

Prior to installation, examine all boxes and packages for shipping damage and compare the piece count with your packing slip. DO NOT remove any item from the pallet(s), crate(s), or boxes that comes with the product until the time of installation unless there is evidence of damage to the packaging materials. It is recommended to place the complete pallet close to the planter installation site. Cover with a disposable tarp if inclement weather is expected.

### Notes

- If curb mounted, Kitsap anchored walls must be installed on a footing that has been approved by a Professional Engineer. Failure to do so will void the product warranty and could cause the product to fail once loaded.
- Footing must be level to +/-1/8" per linear foot and flat over the entire length of the wall assembly.
- Tournesol Siteworks is not responsible for footing installation. Footing recommendation details can be found in the footing addendum.
- Do not drag wall across concrete or other rough surfaces. This will result in damage to the painted finish.
- It is recommended to dry fit entire wall before locating anchors to ensure proper fit up.
- Anchors (3/8"dia Hot Dip Galvanized or Stainless Steel) not provided by Tournesol.

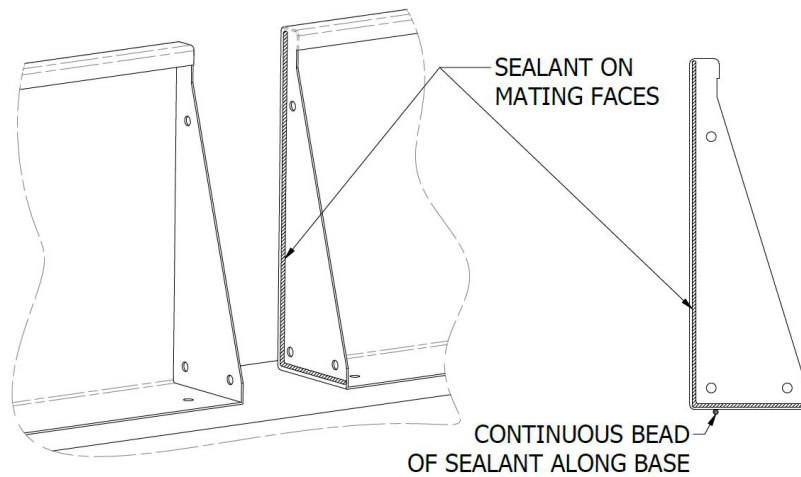
# KITSAP MODULAR PLANTERS: ANCHORED WALL Installation / Assembly Instructions



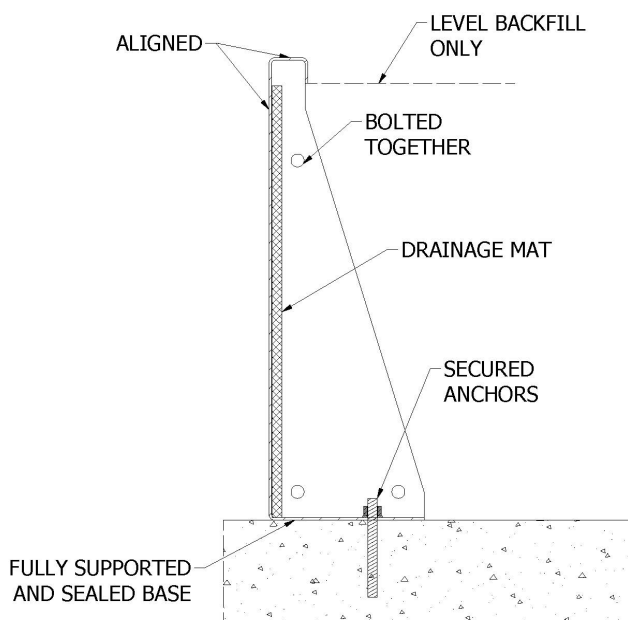
**DRY FIT. MARK ANCHOR LOCATIONS BEFORE DRILLING.**

1. Position walls into place on the approved footing. Ensure the front and top of the wall is aligned.
2. Join each section together, finger tight, at each vertical seam using provided hardware.
3. Check that the wall is located per the architect's specifications, then mark all anchor locations through mounting holes.
4. Unbolt each section and move them to allow access to the marked anchor locations.  
**Warning:** Do not drill through mounting hole of wall as it can damage painted finish.
5. Drill anchor hole into footing per anchor manufacturer specification.
6. Clear all debris from the top of footing.

# KITSAP MODULAR PLANTERS: ANCHORED WALL Installation / Assembly Instructions



7. Apply waterproof sealant to the outside of each mating surface before being placed.
8. Place each section, bolt them together at each gusset, and affix anchors per manufacturer's specification. Do not fully tighten. Place all walls using this method while bolting each vertical seam together.
9. After each section is aligned, fully tighten down all anchor and seam connections.
10. Apply drainage mat to the inside surface of all walls (recommended).

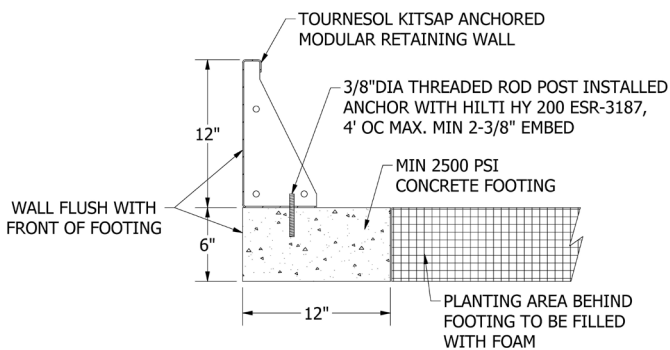


## Tournesol Kitsap Anchored Modular Planter Wall Footing Recommendation

- Footing details shown are recommendations only and should be reviewed by engineer familiar with the site where walls are used.
- Stamped calculations available per request for footings shown below.
- Other mounting methods need to be reviewed by a professional engineer.
- See installation instructions for assembly information.

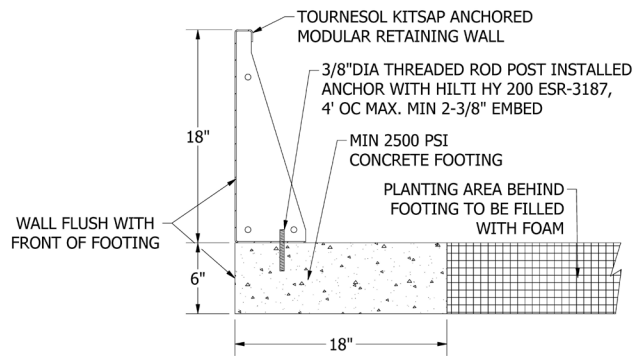
### SUGGESTED CURB FOOTING FOR 12" TALL TOURNESOL KITSAP ANCHORED WALL

- POURED DIRECTLY ONTO ROOF MEMBRANE
- \*FRICTION FACTOR=0.35 CONSIDERED FOR FOOTING DESIGN SLIDING RESISTANCE
- PER LINEAR FOOT LENGTH OF WALL
- FOOTING AND FOAM BY OTHERS



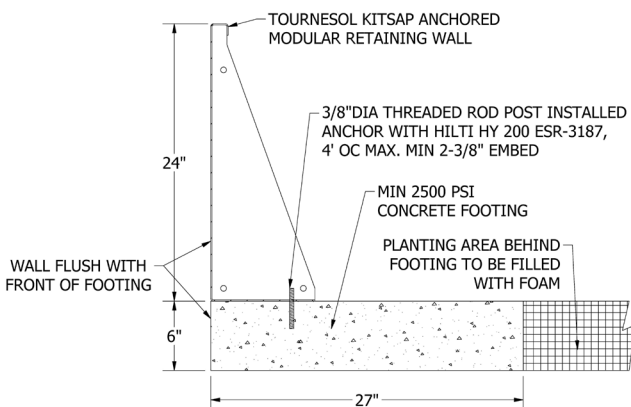
### SUGGESTED CURB FOOTING FOR 18" TALL TOURNESOL KITSAP ANCHORED WALL

- POURED DIRECTLY ONTO ROOF MEMBRANE
- \*FRICTION FACTOR=0.35 CONSIDERED FOR FOOTING DESIGN SLIDING RESISTANCE
- PER LINEAR FOOT LENGTH OF WALL
- FOOTING AND FOAM BY OTHERS



### SUGGESTED CURB FOOTING FOR 24" TALL TOURNESOL KITSAP ANCHORED WALL

- POURED DIRECTLY ONTO ROOF MEMBRANE
- \*FRICTION FACTOR=0.35 CONSIDERED FOR FOOTING DESIGN SLIDING RESISTANCE
- PER LINEAR FOOT LENGTH OF WALL
- FOOTING AND FOAM BY OTHERS



### SUGGESTED CURB FOOTING FOR 36" TALL TOURNESOL KITSAP ANCHORED WALL

- POURED DIRECTLY ONTO ROOF MEMBRANE
- \*FRICTION FACTOR=0.35 CONSIDERED FOR FOOTING DESIGN SLIDING RESISTANCE
- PER LINEAR FOOT LENGTH OF WALL
- FOOTING AND FOAM BY OTHERS

